



Phone: [248-478-2150](tel:248-478-2150)
 Fax: [248-478-6416](tel:248-478-6416)
 Email: sales@rivetsinstock.com
 Website: www.rivetsinstock.com
 Address: 32861 Chesley Dr, Farmington, MI 48336

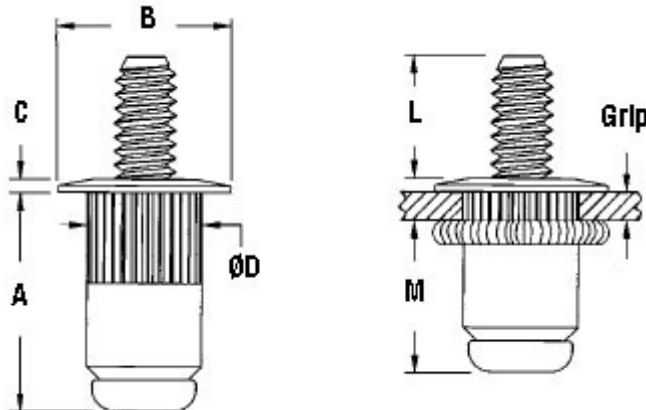
Blind Threaded Studs

* **NOTE:** The "L" dimension is the height of the installed stud at max grip. The height of the stud will increase if it is installed into thinner material. To calculate "actual L" use this formula:
 max grip - actual grip + L = "actual L"

Thread Specifications:

Unified - 2A/21 per ASME B1.1

Metic - 6G/21 per ASME B1.13M



Thread Size	Grip Code	Grip Range	Stud Length "L" Nom. (at Max. Grip)			A ±	B ±	C Nom.	OD Max.	M Ref.	Hole Size In Sheet +.006 - .000
			Part Number								
#6-32	80	.020-.080	.500	.625	.750	.490	.390	.030	.265	.375	.266
			AESS-632-80-500	AESS-632-80-625	AESS-632-80-750						
			#6-32	130	.080-.130						
AESS-632-130-450	AESS-632-130-575	AESS-632-130-700									

#8-32	80	.020-.080	.500 AESS-832-80-500	.625 AESS-832-80-625	.750 AESS-832-80-750	.490	.390	.030	.265	.375	.266
#8-32	130	.080-.130	.450 AESS-832-130-450	.575 AESS-832-130-575	.700 AESS-832-130-700	.540	.390	.030	.265	.375	.266
#10-24	130	.020-.130	.500 AESS-1024-130-500	.625 AESS-1024-130-625	.750 AESS-1024-130-750	.545	.415	.030	.296	.385	.297
#10-24	225	.130-.225	.405 AESS-1024-225-405	.530 AESS-1024-225-530	.655 AESS-1024-225-655	.655	.415	.030	.296	.385	.297
#10-32	130	.020-.130	.500 AESS-1032-130-500	.625 AESS-1032-130-625	.750 AESS-1032-130-750	.545	.415	.030	.296	.385	.297
#10-32	225	.130-.225	.405 AESS-1032-225-405	.530 AESS-1032-225-530	.655 AESS-1032-225-655	.655	.415	.030	.296	.385	.297
1/4-20	165	.027-.165	.625 AESS-420-165-625	.8125 AESS-420-165-8125	1.000 AESS-420-165-1000	.670	.500	.030	.390	.470	.391
1/4-20	260	.165-.260	.530 AESS-420-260-530	.7175 AESS-420-260-7175	.905 AESS-420-260-905	.770	.500	.030	.390	.470	.391
5/16-18	150	.207-.150	.625 AESS-518-150-625	.875 AESS-518-150-875	1.125 AESS-518-150-1125	.805	.685	.035	.530	.585	.531
5/16-18	312	.150-.312	.530 AESS-518-312-530	.713 AESS-518-312-713	.963 AESS-518-312-963	.920	.685	.035	.530	.540	.531

3/8-16	150	.027-.150	.750 AESS-616-150- 750	1.000 AESS-616-150- 1000	1.250 AESS-616-150- 1250	.805	.685	.035	.530	.585	.531
3/8-16	312	.150-.312	.588 AESS-616-312- 588	.838 AESS-616-312- 838	1.088 AESS-616-312- 1088	.920	.685	.035	.530	.540	.531