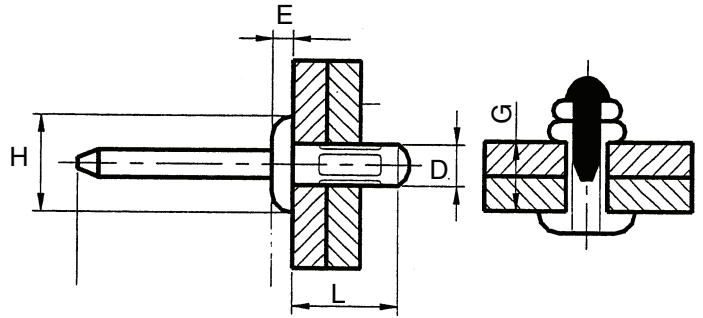




MULTIGRIP BLIND RIVETS



Extended grip range capacity reduces inventory (fewer sizes required).
 Use as a standard open-end rivet.
 No special tools required.
 Aluminum Rivet/Steel Mandrel.

Dome Head

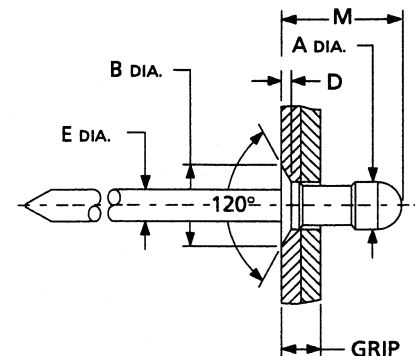
RIVET NO.	"D"	"H"	"E"	"L"	GRIP RANGE
PR43ASPAA	0.121 min. 0.130 max.	0.240 min. 0.260 max.	0.040	0.315	.039-.187
PR44ASPAA				0.437	.046-.250
PR45ASPAA				0.453	.157-.312
PR46ASPAA				0.530	.187-.375
PR47ASPAA				0.595	.251-.441
PR54ASPAA	0.153 min. 0.161 max.	0.299 min. 0.327 max.	0.050	0.402	.047-.250
PR55ASPAA				0.484	.126-.315
PR58ASPAA				0.717	.376-.500
PR64ASPAA	0.183 min. 0.193 max.	0.394 min. 0.358 max.	0.060	0.425	.063-.250
PR66ASPAA				0.606	.126-.375
PR68ASPAA				0.717	.188-.500
PR612ASPAA				1.051	.438-.750

Large Flange Head

RIVET NO.	"D"	"H"	"E"	"L"	GRIP RANGE
PR43ASLAA	0.121 min. 0.130 max.	0.358 min. 0.390 max.	0.065	0.315	.039-.187
PR44ASLAA				0.437	.039-.250
PR45ASLAA				0.453	.157-.312
PR47ASLAA				0.595	.251-.441
PR54ASLAA	0.153 min. 0.161 max.	0.449 min. 0.484 max.	0.075	0.402	.047-.250
PR55ASLAA				0.484	.126-.315
PR58ASLAA				0.717	.376-.500
PR64ASLAA	0.183 min. 0.193 max.	0.602 min. 0.650 max.	0.091	0.425	.063-.250
PR66ASLAA				0.606	.126-.375
PR68ASLAA				0.717	.188-.500
PR612ASLAA				1.051	.438-.750

Countersunk Head

PART NO.	BODY DIAMETER	GRIP RANGE	M Max.	B Max.	D Max.	E Max.
PR44ASCAA	1/8	.093-.250	0.470	0.207	0.05	0.074
PR45ASCAA		.155-.312	0.530			
PR46ASCAA		.217-.375	0.600			
PR55ASCAA	5/32	.109-.312	0.550	0.247	0.052	0.09
PR56ASCAA		.174-.375	0.610			
PR65ASCAA	3/16	.125-.312	0.800	0.347	0.069	0.112
PR68ASCAA		.250-.500	0.610			



Available in steel upon request.