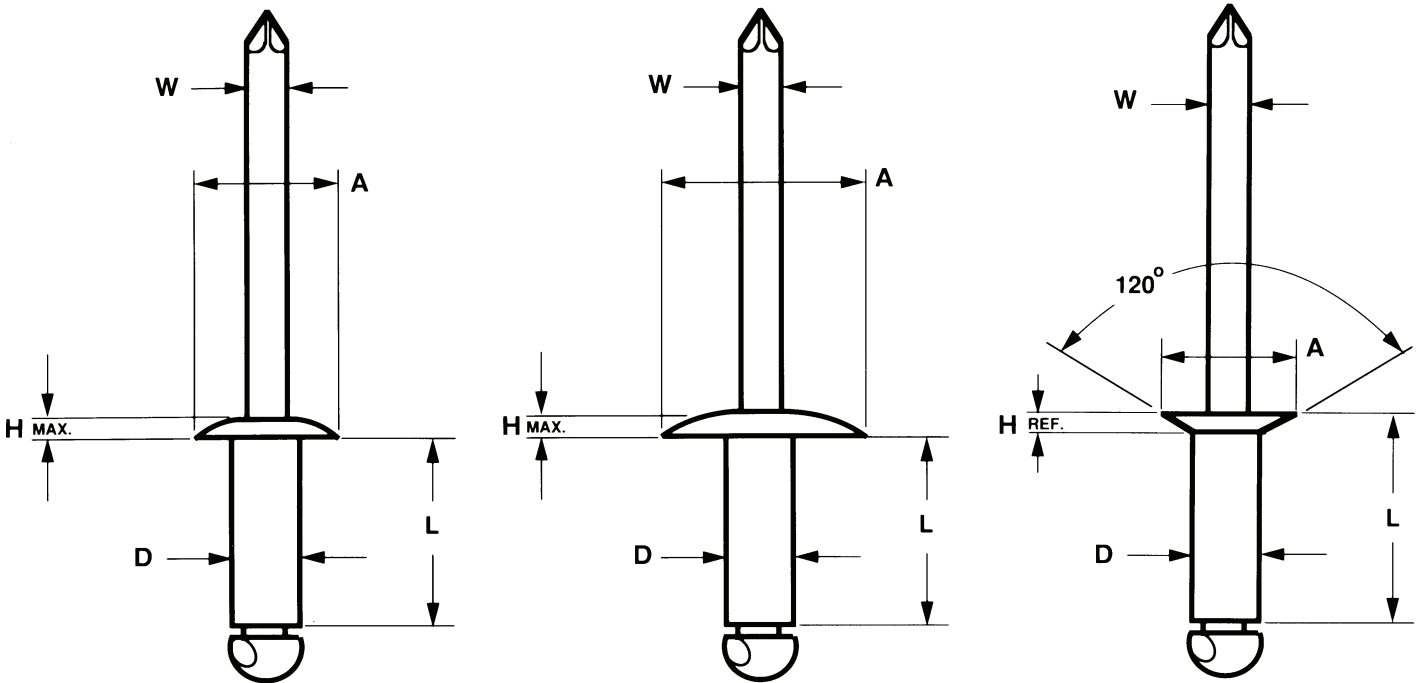




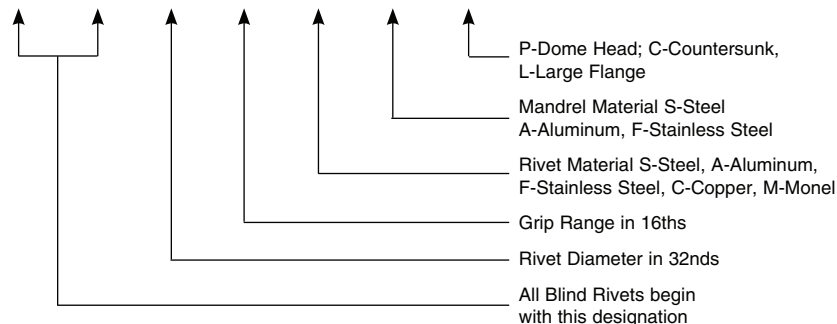
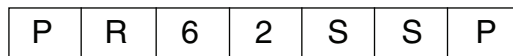
BLIND RIVETS - OPEN END



Rivet Series Number	Nominal Rivet Size	D Body Diameter		W Mandrel Diameter	Dome Head		Large Flange		Countersunk Head		Hole Size and Drill Number
		Max.	Min.		A Head Dia.	H Max. Head Height	A Head Dia.	H Max. Head Height	A Head Dia.	H Max. Head Height	
3	3/32 (2.4mm)	.096	.090	0.057	.187	.032	.281	.040	.180	.028	.097-.100 (#41)
4	1/8 (3.2mm)	.128	.122	0.076	.250	.040	.375	.065	.226	.032	.129-.133 (#30)
5	5/32 (4.0mm)	.159	.153	0.095	.312	.050	.469	.075	.281	.040	.160-.164 (#20)
6	3/16 (4.8mm)	.191	.183	0.114	.375	.060	.625	.092	.344	.050	.192-.196 (#11)
8	1/4 (6.4mm)	.255	.246	0.151	.500	.080	.750	.107	.468	.071	.257-.261 (F)

Length varies with each grip length, see pages 16-17
 Values in blue are metric.

PART NUMBERING





BLIND RIVETS - OPEN END

Rivet Diameter	G Grip Range	L Rivet Lengths Max	Aluminum Rivet Aluminum Mandrel IFI Grade 11					Aluminum Rivet Steel Mandrel IFI Grade 19					Steel Rivet Steel Mandrel IFI Grade 30				
			Dome Head	Large Flange	Countsk. Head	S H E A R	T E N S I L E	Dome Head	Large Flange	Countsk. Head	S H E A R	T E N S I L E	Dome Head	Large Flange	Countsk. Head	S H E A R	T E N S I L E
3/32 (2.4mm)	.020-.125 0.8-3.2mm	.250 6.4mm	32AAP	-	32AAC	70	80	32ASP	-	32ASC	90	120	32SSP	-	32SSC	130	170
	.126-.250 3.3-6.4mm	.375 9.5mm	34AAP	-	34AAC			34ASP	-	34ASC			34SSP	-	34SSC		
	.251-.375 6.5-9.5mm	.500 12.7mm	36AAP	-	36AAC			36ASP	-	36ASC			36SSP	-	36SSC		
1/8 (3.2mm)	.020-.062 0.8-1.6mm	.212 5.4mm	41AAP	-	-	120	150	41ASP	-	41ASC	170	220	41SSP	-	41SSC	260	310
	.063-.125 1.7-3.2mm	.275 7.0mm	42AAP	42AAL	34AAC			42ASP	42ASL	42ASC			42SSP	42SSL	42SSC		
	.126-.187 3.3-4.8mm	.337 8.6mm	43AAP	-	43AAC			43ASP	-	43ASC			43SSP	-	43SSC		
	.188-.250 4.9-6.4mm	.400 10.2mm	44AAP	44AAL	44AAC			44ASP	44ASL	44ASC			44SSP	44SSL	44SSC		
	.251-.312 6.5-7.9mm	.462 11.7mm	45AAP	-	45AAC			45ASP	-	45ASC			45SSP	-	45SSC		
	.313-.375 8.0-9.5mm	.525 13.4mm	46AAP	46AAL	46AAC			46ASP	46ASL	46ASC			46SSP	46SSL	46SSC		
	.376-.500 9.6-12.7mm	.650 16.5mm	48AAP	48AAL	48AAC			48ASP	48ASL	48ASC			48SSP	48SSL	48SSC		
	.501-.625 12.8-15.9mm	.775 19.7mm	410AAP	-	410AAC			410ASP	-	410ASC			410SSP	410SSL	410SSC		
5/32 (4.0mm)	.020-.125 1.6-3.2mm	.300 7.6mm	52AAP	-	-	190	230	52ASP	-	52ASC	260	350	52SSP	-	-	370	470
	.126-.187 3.3-4.8mm	.362 9.2mm	53AAP	-	-			53ASP	-	-			53SSP	-	-		
	.188-.250 4.9-6.4mm	.425 10.8mm	54AAP	54AAL	54AAC			54ASP	54ASL	54ASC			54SSP	54SSL	54SSC		
	.251-.375 6.5-9.5mm	.550 14.0mm	56AAP	56AAL	56AAC			56ASP	56ASL	56ASC			56SSP	56SSL	56SSC		
	.376-.500 9.6-12.7mm	.675 17.2mm	58AAP	58AAL	58AAC			58ASP	58ASL	58ASC			58SSP	58SSL	58SSC		
	.501-.625 12.7-17.1mm	.800 20.3mm	510AAP	-	510AAC			510ASP	-	510ASC			510SSP	-	510SSC		

* ALL PART NUMBERS PRECEDED WITH PR., EXAMPLE PR44SSP

** SPECIALS AVAILABLE UPON REQUEST



BLIND RIVETS – OPEN END

Rivet Diameter	G Grip Range	L Rivet Lengths Max	Aluminum Rivet Aluminum Mandrel IFI Grade 11				Aluminum Rivet Steel Mandrel IFI Grade 19					Steel Rivet Steel Mandrel IFI Grade 30					
			Dome Head	Large Flange	Countsk. Head	S H E A R	T E N S I L E	Dome Head	Large Flange	Countsk. Head	S H E A R	T E N S I L E	Dome Head	Large Flange	Countsk. Head	S H E A R	T E N S I L E
3/16 (4.8mm)	.020-.125 1.6-3.2mm	.325 8.3mm	62AAP	-	-	260	320	62ASP	-	-	380	500	62SSP	-	-	540	680
	.125-.250 3.2-6.4mm	.450 11.5mm	64AAP	64AAL	64AAC			64ASP	64ASL	64ASC			64SSP	64SSL	64SSC		
	.251-.375 6.5-9.5mm	.575 14.6mm	66AAP	66AAL	66AAC			66ASP	66ASL	66ASC			66SSP	66SSL	66SSC		
	.376-.500 9.6-12.7mm	.700 17.8mm	68AAP	68AAL	68AAC			68ASP	68ASL	68ASC			68SSP	68SSL	68SSC		
	.501-.625 12.8-15.9mm	.825 21.0mm	610AAP	610AAL	610AAC			610ASP	610ASL	610ASC			610SSP	610SSL	610SSC		
	.626-.750 16.0-19.1mm	.950 24.2mm	612AAP	612AAL	612AAC			612ASP	612ASL	612ASC			612SSP	612SSL	612SSC		
	.751-.875 19.1-22.2mm	1.075 27.3mm	614AAP	614AAL	614AAC			614ASP	614ASL	614ASC			614SSP	614SSL	614SSC		
	.876-1.000 22.3-25.4mm	1.200 30.5mm	616AAP	-	616AAC			616ASP	-	616ASC			616SSP	-	616SSC		
1/4 (6.4mm)	.020-.125 1.6-3.2mm	.375 9.5mm	82AAP	-	-	460	560	82ASP	-	-	700	920	82SSP	-	-	1000	1240
	.126-.250 3.3-6.4mm	.500 12.7mm	84AAP	84AAL	84AAC			84ASP	84ASL	84ASC			84SSP	84SSL	84SSC		
	.251-.375 6.5-9.5mm	.625 15.9mm	86AAP	86AAL	86AAC			86ASP	86ASL	86ASC			86SSP	86SSL	86SSC		
	.376-.500 9.6-12.7mm	.750 19.1mm	88AAP	88AAL	88AAC			88ASP	88ASL	88ASC			88SSP	88SSL	88SSC		
	.501-.625 12.8-15.9mm	.875 21.0mm	810AAP	810AAL	810AAC			810ASP	810ASL	810ASC			810SSP	810SSL	810SSC		
	.626-.750 16.0-19.1mm	1.000 25.4mm	812AAP	812AAL	812AAC			812ASP	812ASL	812ASC			812SSP	812SSL	812SSC		
	.751-.875 19.1-22.2mm	1.125 28.6mm	814AAP	814AAL	814AAC			814ASP	814ASL	814ASC			814SSP	814SSL	814SSC		
	.876-1.000 22.3-25.4mm	1.250 31.8mm	816AAP	816AAL	816AAC			816ASP	816ASL	816ASC			816SSP	816SSL	816SSC		



BLIND RIVETS - OPEN END

Rivet Diameter	G Grip Range	L Rivet Lengths Max	Stainless Rivet Stainless Mandrel IFI Grade 51					Stainless Rivet Steel Mandrel IFI Grade 50					Copper Rivet Steel Mandrel IFI Grade 20				
			Dome Head	Large Flange	Counts. Head	S H E A R	T E N S I L E	Dome Head	Large Flange	Counts. Head	S H E A R	T E N S I L E	Dome Head	Large Flange	Counts. Head	S H E A R	T E N S I L E
3/32 (2.4mm)	.020-.125 0.8-3.2mm	.250 6.4mm	32FFP	-	32FFC	230	280	32FSP	-	32FSC	230	280	-	-	-		
	.126-.250 3.3-6.4mm	.375 9.5mm	34FFP	-	34FFC			34FSP	-	34FSC			-	-	-		
1/8 (3.2mm)	.020-.062 0.8-1.6mm	.212 5.4mm	41FFP	-	-	420	530	41FSP	-	-	420	530	41CSP	-	-	215	300
	.063-.125 1.7-3.2mm	.275 7.0mm	42FFP	42FFL	42FFC			42FSP	42FSL	42FSC			42CSP	42CSL	42CSC		
	.126-.187 3.3-4.8mm	.337 8.6mm	43FFP	43FFL	43FFC			43FSP	43FSL	43FSC			43CSP	-	43CSC		
	.188-.250 4.9-6.4mm	.400 10.2mm	44FFP	44FFL	44FFC			44FSP	44FSL	44FSC			44CSP	44CSL	44CSC		
	.251-.312 6.5-7.9mm	.462 11.7mm	45FFP	-	45FFC			45FSP	-	45FSC			45CSP	-	45CSC		
	.313-.375 8.0-9.5mm	.525 13.4mm	46FFP	46FFL	46FFC			46FSP	46FSL	46FSC			46CSP	46CSL	-		
	.376-.500 9.6-12.7mm	.650 16.5mm	48FFP	48FFL	-			48FSP	-	-			48CSP	48CSL	48CSC		
	.501-.625 12.8-15.9mm	.775 19.7mm	410FFP	-	-			410FSP	-	-			410CSP	-	410CSC		
5/32 (4.0mm)	.020-.125 1.6-3.2mm	.300 7.6mm	52FFP	-	-	650	820	-	-	-	650	820	-	-	-		
	.126-.187 3.3-4.8mm	.337 8.6mm	53FFP	-	-			-	-	-			-	-			
	.188-.250 4.9-6.4mm	.400 10.2mm	54FFP	54FFL	54FFC			54FSP	54FSL	54FSC			-	-	-		
	.313-.375 8.0-9.5mm	.525 13.4mm	56FFP	56FFL	56FFC			56FSP	56FSL	56FSC			-	-	-		
3/16 (4.8mm)	.020-.125 1.6-3.2mm	.325 8.3mm	62FFP	-	-	950	1200	62FSP	-	-	950	1200	-	-	-		
	.125-.250 3.2-6.4mm	.450 11.5mm	64FFP	64FFL	64FFC			64FSP	64FSL	64FSC			-	-	-		
	.251-.375 6.5-9.5mm	.575 14.6mm	66FFP	66FFL	66FFC			66FSP	66FSL	66FSC			-	-	-		
	.376-.500 9.6-12.7mm	.700 17.8mm	68FFP	68FFL	68FFC			68FSP	68FSL	68FSC			-	-	-		
	.501-.625 12.8-15.9mm	.825 21.0mm	610FFP	610FFL	-			-	-	-			-	-	-		
	.626-.750 16.0-19.1mm	.950 24.2mm	612FFP	612FFL	-			612FSP	612FSL	-			-	-	-		
	.751-.875 19.1-22.2mm	1.075 27.3mm	614FFP	614FFL	-			-	-	-			-	-	-		
	.876-1.00 22.3-25.4mm	1.200 30.5mm	616FFP	616FFL	-			-	-	-			-	-	-		
1/4 (6.4mm)	.020-.125 1.6-3.2mm	.375 9.5mm	82FFP	-	-	1700	2100	82FSP	-	-	1700	2100	-	-	-		
	.126-.250 3.3-6.4mm	.500 12.7mm	84FFP	-	84FFC			84FSP	-	84FSC			-	-			
	.251-.375 6.5-9.5mm	.625 15.9mm	86FFP	-	86FFC			86FSP	-	86FSC			-	-			
	.376-.500 9.6-12.7mm	.750 19.1mm	88FFP	-	88FFC			88FSP	-	88FSC			-	-			
	.501-.625 12.8-15.9mm	.875 21.0mm	810FFP	-	810FFC			810FSP	-	810FSC			-	-			