

Air Pull-Setters

Air Tools

LG-801

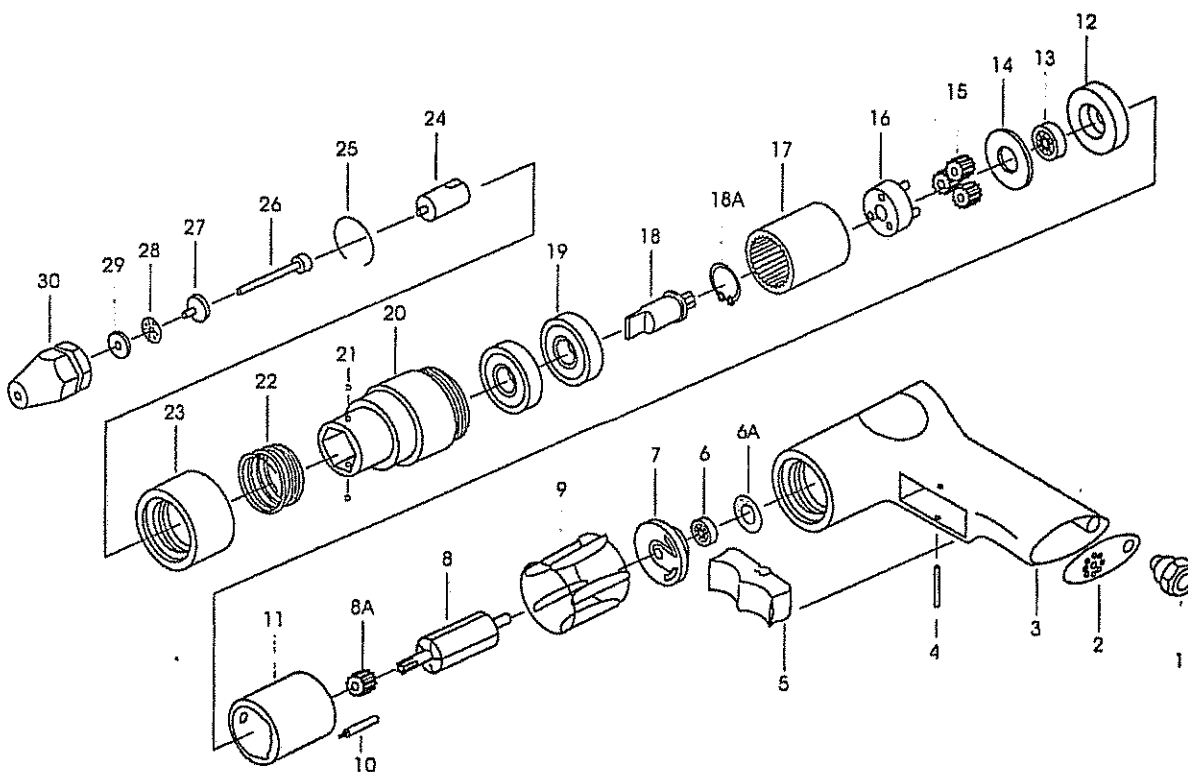
SPECIFICATION

Free speed(R.P.M.)3000
 Air pressure 50 psi
 Air inlet(N.P.T.)1/4"
 Air consumption 5CFM
 Thread size:M3, M4
 Hose size: 3/8"(9.5m/m)

LG-802

SPECIFICATION

Free speed(R.P.M.)1500
 Air pressure 90 psi
 Air inlet(N.P.T.)1/4"
 Air consumption 5CFM
 Thread size:M5, M6
 Hose size: 3/8"(9.5m/m)



PART NO.	Description	NO. Req'd
802-1	AIR INLET	1
802-2	DIFFUSER-EXHAUST	1
802-3	HANDLE ASSEMBLY	1
802-4	PIN (ø3x28)	1
802-5	TRIGGER	1
802-6A	GASKET	1
802-6	BALL BEARING (696zz)	1
802-7	REAR PLATE	1
802-8	ROTOR (6T)	1
801-8A	SUN GEAR (12T)	1
802-9	ROTOR BLADE	5
802-10	ROLL PIN (ø2.5x10)	2
802-11	CYLINDER	1
802-12	FRONT END PLATE	1
802-13	BALL BEARING (626zz)	1
802-14	WASHER	1
801-15	PLANET GEAR (15T)	3
802-15	PLANET GEAR (18T)	3

PART NO.	Description	NO. Req'd
801-16	GEAR CAGE	1
802-16	GEAR CAGE	1
802-17	INTERNAL GEAR	1
802-18	DRIVE SPINDLE	1
802-18A	RETAINING RING	1
802-19	BALL BEARING (6200z)	2
802-20	NOSE HOUSING	1
802-21	LOCKING BALLS	2
802-22	CHANGE VALUE SPRING	1
802-23	QUICK CHANGE SLEEVE	1
802-24	DRAW BOLT DRIVER	1
802-25	CIRCLIP	1
802-26	SCREW	1
802-27	REAR THRUST PLATE	1
802-28	ROLLER BEARINGS	1
802-29	WASHER	1
801-30	NOSE PIECE	1