

# 離合器式氣動拉帽機

## Adjustable Clutch Pull Setter

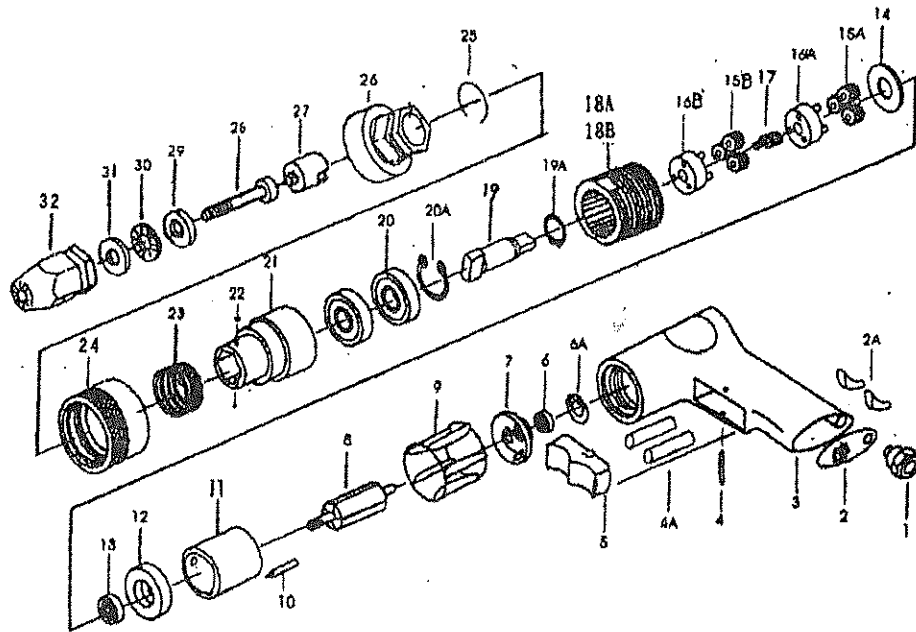
# LG-808

Air Tools

LG-808

### SPECIFICATION

FREE SPEED(R. P. M.) 280  
 AIR PRESSURE 90 PSI  
 AIR INLET(N. P. T.) 1/4"  
 AIR CONSUMPTION 5CFM  
 THREAD SIZE: 1/2" M  
 HOSE SIZE: 3/8" (9.5)



請使用正品。

Please read the operation instruction carefully before start

1. Vapor may causes inside of spare parts, and high speed running may causes damage; therefore, please put some HOPE Air Tool Oil from inlet into tools, then switch on power and let the tools empty run with low speed for few seconds.
2. Before working and after tools 2 hours 1 times.
3. Check all screws, parts, quick coupler whether they loosed, leaked or defaced before operating, to avoid danger, don't let the sander empty run.
4. Don't throw or cast tools randomly, improper usage will reduce the working life of tools. Always repair/change your tool with original parts which provided by local agent.

PART NO.	DESCRIPTION	NO. REQ'D	PART NO.	DESCRIPTION	NO. REQ'D
808-1	AIR INLET	1	808-18B	GEAR CAGE	1
808-2	DIFFUSER-EXHAUST	1	808-17	SUN GEAR(8T)	1
808-2A	SILENCER	3	808-18A	INTERNAL GEAR	1
808-3	HANDLE	1	808-18B	INTERNAL GEAR	1
808-4	PIN(φ3*28)	1	808-10	DRIVE SPINDLE	1
808-4A	THROTTLE VALVE	2	808-19A	RETAINER RING	1
808-5	TRIGGER	1	808-20	BALL BEARING(6200Z)	2
808-6A	GASKET	1	808-20A	RETAINING RING	1
808-6	BALL BEARING(698ZZ)	1	808-21	NOSE HOUSING	1
808-7	REAR END PLATE	1	808-22	STEEL BALL	2
808-8	ROTOR(8T)	1	808-23	SPRING	1
808-9	ROTOR BLADE	5	808-24	CHANGE SLEEVE	1
808-10	ROLLER PIN	2	808-25	CIRCLIP	1
808-11	CYLINDER	1	808-26	SPINDLE COVER	1
808-12	FRONT END PLATE	1	808-27	DRAW BOLT DRIVER	1
808-13	BALL BEARING(620ZZ)	1	808-28	SCREW BOLT	1
808-14	WASHER	1	808-29	THRUST WASHER	1
808-15A	PLANET GEAR(18T)	3	808-30	THRUST ROLLER BEARINGS	1
808-15B	PLANET GEAR(16T)	3	808-31	THRUST WASHER	1
808-16A	GEAR CAGE	1	808-32	NOSEPIECE	1

選擇正確及高品質產品，使您工作效率大幅提升，降低工具及產品損壞，切勿貪便宜得不償失  
 Choose "High Quality & Suitable Tools" increase working efficiency & reduced cost.