

Air Pull-Setters

Air Tools

LG-803

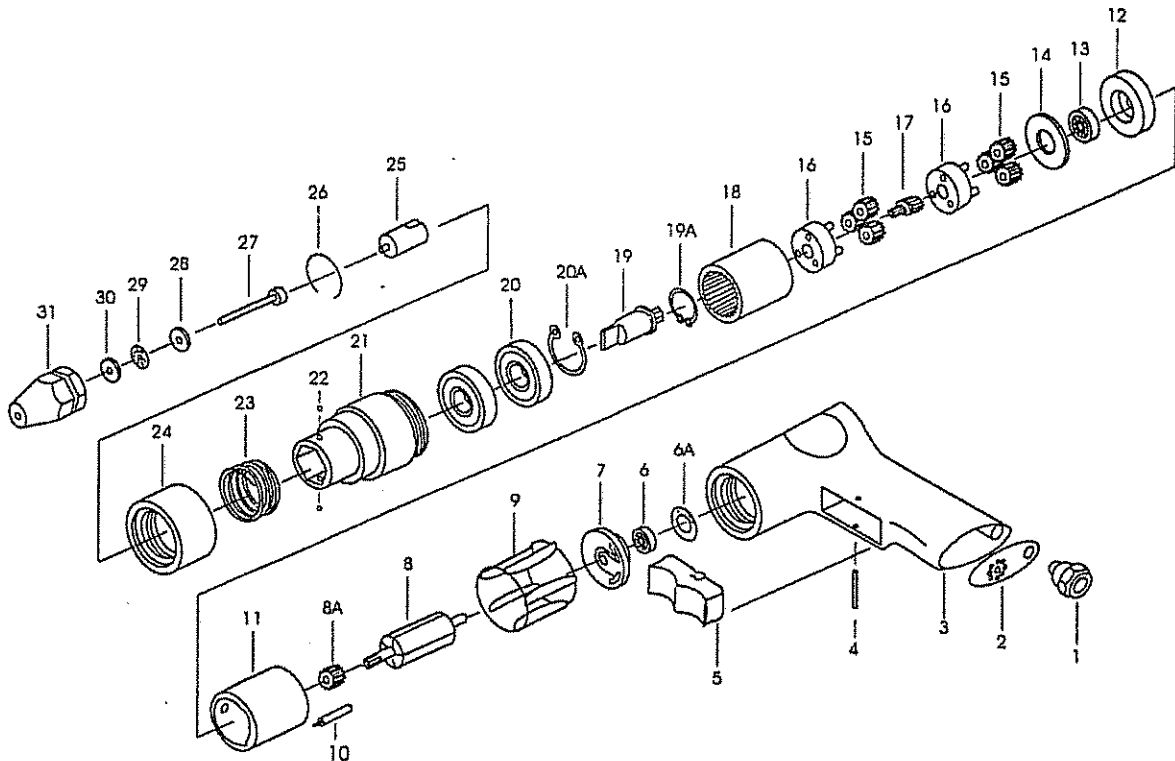
SPECIFICATION

Free speed(R.P.M.)600
 Air pressure 90 psi
 Air inlet(N.P.T.)1/4"
 Air consumption 5CFM
 Thread size:M8, M10
 Hose size: 3/8"(9.5m/m)

LG-804

SPECIFICATION

Free speed(R.P.M.)400
 Air pressure 90 psi
 Air inlet(N.P.T.)1/4"
 Air consumption 5CFM
 Thread size:M8, M10
 Hose size: 3/8"(9.5m/m)



PART NO.	Description	NO. Req'd
803-1	AIR INLET	1
803-2	DIFFUSER-EXHAUST	1
803-3	HANDLE	1
803-4	PIN (ø3x28)	1
803-5	TRIGGER	1
803-6A	GASKET	1
803-6	BALL BEARING (696zz)	1
803-7	REAR PLATE	1
803-8A	SUN GEAR 12T	1
803-8	ROTOR (6T)	1
804-8	ROTOR (9T)	1
803-9	ROTOR BLADE	5
803-10	ROLLER PIN (ø2.5x10)	2
803-11	CYLINDER	1
803-12	FRONT END PLATE	1
804-12	FRONT END PLATE(ø34xø6) (ø34xø8)	1
803-13	BALL BEARING (626zz)	1
804-13	BALL BEARING (698zz)	1
803-14	WASHER	1
803-15	PLANET GEAR (15T)	6
804-15	PLANET GEAR (16T)	6

PART NO.	Description	NO. Req'd
803-16	GEAR CAGE	2
804-16	GEAR CAGE	2
803-17	SUN GEAR (12T)	1
804-17	SUN GEAR (9T)	1
803-18	INTERNAL GEAR	1
804-18	INTERNAL GEAR	1
803-19	DRIVE SPINDLE	1
803-19A	RETAINING RING	1
803-20	BALL BEARING (6200z)	2
803-20A	RETAINING RING	1
803-21	NOSE HOUSING	1
803-22	LOCKING BALLS	2
803-23	SPRING	1
803-24	QUICK CHANGE SLEEVE	1
803-25	DRAW BOLT DRIVER	1
803-26	CIRCLIP	1
803-27	SCREW	1
803-28	WASHER	1
803-29	ROLLER BEARINGS	1
803-30	WASHER	1
803-31	NOSE PIECE	1