



STEEL BARREL NUTS & SCREWS

Steel Zinc Plated Barrel Nuts and Screws also known as Sex Bolts.

Post/Barrels (.250" barrel dia. x .438" head O.D. - Slotted/Phillips combination)

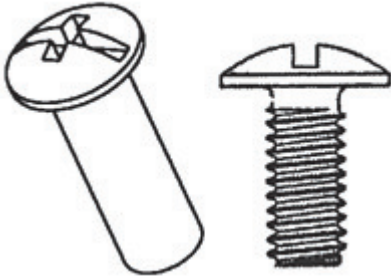
Screws (10-24 thread dia. x .438" head O.D. - Slotted/Phillips combination).

Zinc plated steel. For use in 17/64" holes.

Low profile, matching head on both the bolt and screw allow for a nice clean look.

For use in 17/64" (.265) holes

10-24 Thread Size



SCREW

10-24 Thread Size

Part Number	Description	Length	Material	Head Style
S-312S	Screw	5/16"	Zinc Plated Steel	Closed End, Combo Drive

POST/BARRELS

1/4 (.250) Outside Diameter and Slotted/Phillips combination

Part Number	Description	Length	Material	Head Style
B-250S	Barrel	1/4"	Zinc Plated Steel	Open End, Slotted Drive
B-375SE	Barrel	3/8"	Zinc Plated Steel	Closed End, Combo Drive
B-500SE	Barrel	1/2"	Zinc Plated Steel	Closed End, Combo Drive
B-625SE	Barrel	5/8"	Zinc Plated Steel	Closed End, Combo Drive
B-750SE	Barrel	3/4"	Zinc Plated Steel	Closed End, Combo Drive
B-1000SE	Barrel	1"	Zinc Plated Steel	Closed End, Combo Drive
B-1250SE	Barrel	1-1/4"	Zinc Plated Steel	Closed End, Combo Drive
B-1500SE	Barrel	1-1/2"	Zinc Plated Steel	Closed End, Combo Drive
B-2000SE	Barrel	2"	Zinc Plated Steel	Closed End, Combo Drive

Steel Barrel Bolt Extension

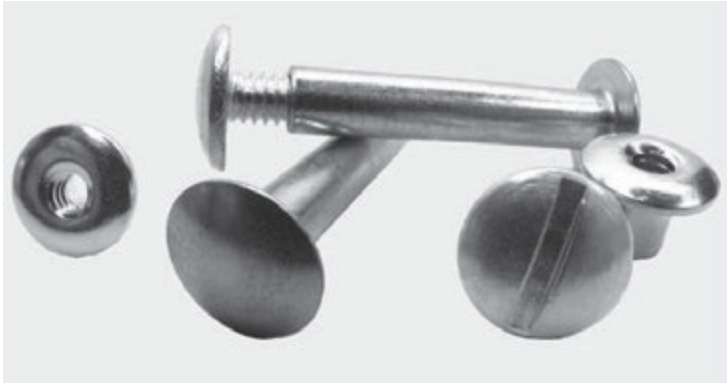
.250" dia. with 10-24 dia. male and female ends. Zinc plated steel. For use in 17/64" holes.

Part Number	Description	Length	Material
B-EXTS	Bolt Extension	1/2"	Zinc Plated Steel

Note: When used in conjunction with zinc plated Steel Barrel Bolts, extensions add length in order to increase binding capacity as needed.

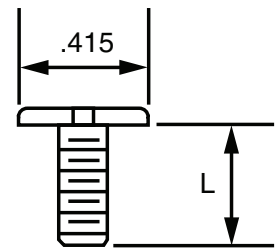


BRASS BINDER POST & SCREWS



SCREWS - (8-32 thread dia. x .415" head O.D. - slotted). BRASS. For use in 7/32" holes.

Part Number	Description	Length	Material	Head Style
S-187B	Removable Screw	3/16"	Solid Brass	Slotted Drive
S-250B	Removable Screw	1/4"	Solid Brass	Slotted Drive
S-312B	Removable Screw	5/16"	Solid Brass	Slotted Drive

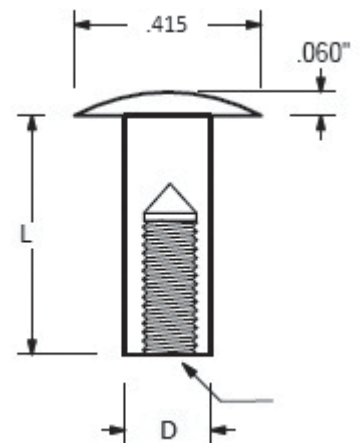


8-32 Thread

POST-have a .203 body diameter x .415 head OD-unslotted.

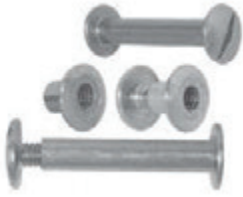
D=.203 L= see chart below

Part Number	Description	Length	Material	Head Style	Mating Screw (sold separately)
B-125B	Binder Post	1/8"	Solid Brass	Open End, No Drive	S-187B
B-187B	Binder Post	3/16"	Solid Brass	Open End, No Drive	S-250B
B-250B	Binder Post	1/4"	Solid Brass	Open End, No Drive	S-250B
B-375BE	Binder Post	3/8"	Solid Brass	Closed End, No Drive	S-312B
B-500BE	Binder Post	1/2"	Solid Brass	Closed End, No Drive	S-312B
B-625BE	Binder Post	5/8"	Solid Brass	Closed End, No Drive	S-312B
B-750BE	Binder Post	3/4"	Solid Brass	Closed End, No Drive	S-312B
B-1000BE	Binder Post	1"	Solid Brass	Closed End, No Drive	S-312B
B-1250BE	Binder Post	1 1/4"	Solid Brass	Closed End, No Drive	S-312B
B-1500BE	Binder Post	1 1/2"	Solid Brass	Closed End, No Drive	S-312B
B-1750BE	Binder Post	1 3/4"	Solid Brass	Closed End, No Drive	S-312B
B-2000BE	Binder Post	2"	Solid Brass	Closed End, No Drive	S-312B





ALUMINUM BINDER POST & SCREWS

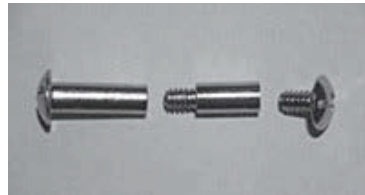


203" dia. x .415" head O.D. - unslotted

SCREWS - (8-32 thread dia. x .415" head O.D. - slotted). Aluminum.
For use in 7/32" holes.

	ITEM	LENGTH	HEAD STYLE
S-187A	Removable Screw	3/16"	Slotted Drive
S-250A	Removable Screw	1/4"	Slotted Drive
S-375A	Removable Screw	3/8"	Slotted Drive

BOLT/POST EXTENSIONS



Part Number	Description
B-250AEX	1/4 BOLT EXTENTION, ALUMINUM
B-500AEX	1/2 BOLT EXTENTION, ALUMINUM
B-750AEX	3/4 BOLT EXTENTION, ALUMINUM
B-1000AEX	1" BOLT EXTENTION, ALUMINUM

POST - have a .203 body diameter x .415 head OD-unslotted.

Part Number	Description	Length	Head Style	Mating Screw (sold separately)
B-125A	Binder Post	1/8"	Open End, No Drive	S-187A
B-187A	Binder Post	3/16"	Open End, No Drive	S-250A
B-250A	Binder Post	1/4"	Open End, No Drive	S-250A
B-250AE	Binder Post	1/4"	Closed End, No Drive	S-187A
B-375A	Binder Post	3/8"	Open End, No Drive	S-375A
B-375AE	Binder Post	3/8"	Closed End, No Drive	S-250A
B-500AE	Binder Post	1/2"	Closed End, No Drive	S-375A
B-625AE	Binder Post	5/8"	Closed End, No Drive	S-375A
B-750AE	Binder Post	3/4"	Closed End, No Drive	S-375A
B-875AE	Binder Post	7/8"	Closed End, No Drive	S-375A
B-1000AE	Binder Post	1"	Closed End, No Drive	S-375A
B-1250AE	Binder Post	1-1/4"	Closed End, No Drive	S-375A
B-1500AE	Binder Post	1-1/2"	Closed End, No Drive	S-375A
B-1750AE	Binder Post	1-3/4"	Closed End, No Drive	S-375A
B-2000AE	Binder Post	2"	Closed End, No Drive	S-375A
B-2250AE	Binder Post	2-1/4"	Closed End, No Drive	S-375A
B-2500AE	Binder Post	2-1/2"	Closed End, No Drive	S-375A
B-2750AE	Binder Post	2-3/4"	Closed End, No Drive	S-375A
B-3000AE	Binder Post	3"	Closed End, No Drive	S-375A
B-3250AE	Binder Post	3-1/4"	Closed End, No Drive	S-375A
B-3500AE	Binder Post	3-1/2"	Closed End, No Drive	S-375A
B-4000AE	Binder Post	4"	Closed End, No Drive	S-375A
B-4500AE	Binder Post	4-1/2"	Closed End, No Drive	S-375A
B-5000AE	Binder Post	5"	Closed End, No Drive	S-375A
B-6000AE	Binder Post	6"	Closed End, No Drive	S-375A

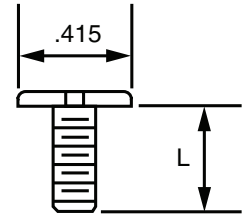


BLACK ANODIZED ALUMINUM BINDER POST & SCREWS



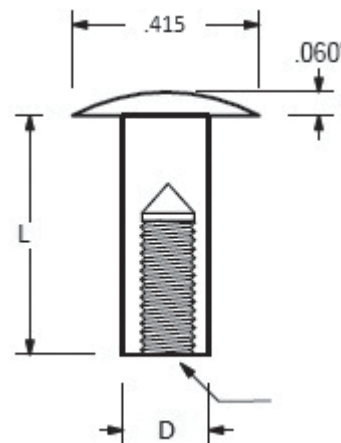
SCREWS - (8-32 thread dia. x .415" head O.D. - slotted). Aluminum. For use in 7/32" holes.

Part Number	Description	Length	Material	Head Style
S-187AB	Removable Screw	3/16"	Black Anodized Aluminum	Slotted Drive
S-250AB	Removable Screw	1/4"	Black Anodized Aluminum	Slotted Drive
S-375AB	Removable Screw	3/8"	Black Anodized Aluminum	Slotted Drive



8-32 Thread

POST-have a .203 body diameter x .415 head OD-unslotted.
D=.203 L= see chart below



Part Number	Description	Length	Material	Head Style	Mating Screw (sold separately)
B-125AB	Binder Post	1/8"	Black Anodized Aluminum	Open End, No Drive	S-187AB
B-187AB	Binder Post	3/16"	Black Anodized Aluminum	Open End, No Drive	S-250AB
B-250AB	Binder Post	1/4"	Black Anodized Aluminum	Open End, No Drive	S-250AB
B-375AB	Binder Post	3/8"	Black Anodized Aluminum	Open End, No Drive	S-375AB
B-500ABE	Binder Post	1/2"	Black Anodized Aluminum	Closed End, No Drive	S-375AB
B-625ABE	Binder Post	5/8"	Black Anodized Aluminum	Closed End, No Drive	S-375AB
B-750ABE	Binder Post	3/4"	Black Anodized Aluminum	Closed End, No Drive	S-375AB
B-1000ABE	Binder Post	1"	Black Anodized Aluminum	Closed End, No Drive	S-375AB
B-1250ABE	Binder Post	1 1/4"	Black Anodized Aluminum	Closed End, No Drive	S-375AB
B-1500ABE	Binder Post	1 1/2"	Black Anodized Aluminum	Closed End, No Drive	S-375AB
B-1750ABE	Binder Post	1 3/4"	Black Anodized Aluminum	Closed End, No Drive	S-375AB
B-2000ABE	Binder Post	2"	Black Anodized Aluminum	Closed End, No Drive	S-375AB



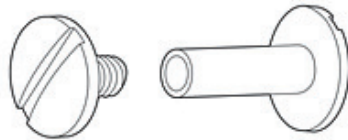
PLASTIC BINDER POSTS & SCREWS

Large, low profile matching slotted heads on both the post and screw allow for a nice, clean look. Screw can be pushed in for fast assembly. For best results, insert screw length completely.

Removable and reusable. Each assembly consists of one post and one screw. Binding capacity is determined by length of post used. Otherwise known as Quick-Connect or Adjust-A-Locks

- Female posts are .240" barrel dia. x .562" head O.D. - slotted
- Male screws are 10-24 thread dia. x .562" head O.D. - slotted
- For use in 1/4" holes
- Available in Black or White

POSTS AND SCREWS SOLD SEPARATELY



Black					
PART #	Item	Length	Head Type	Color	Mating Screw (sold separately)
S-250PB	Removable Screw	1/4	Slotted Drive	black	
S-375PB	Removable Screw	3/8	Slotted Drive	black	
B-250PBE	Binder Post	1/4	Closed End, Slotted Drive	black	S-250PB
B-375PBE	Binder Post	3/8	Closed End, Slotted Drive	black	S-375PB
B-500PBE	Binder Post	1/2	Closed End, Slotted Drive	black	S-375PB
B-750PBE	Binder Post	3/4	Closed End, Slotted Drive	black	S-375PB

White					
PART #	Item	Length	Head Type	Color	Mating Screw (sold separately)
S-250PW	Removable Screw	1/4	Slotted Drive	white	
S-375PW	Removable Screw	3/8	Slotted Drive	white	
B-250PWE	Binder Post	1/4	Closed End, Slotted Drive	white	S-250PW
B-375PWE	Binder Post	3/8	Closed End, Slotted Drive	white	S-375PW
B-500PWE	Binder Post	1/2	Closed End, Slotted Drive	white	S-375PW
B-750PWE	Binder Post	3/4	Closed End, Slotted Drive	white	S-375PW